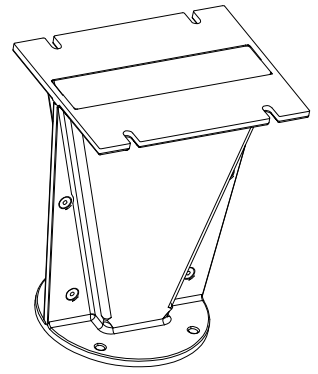
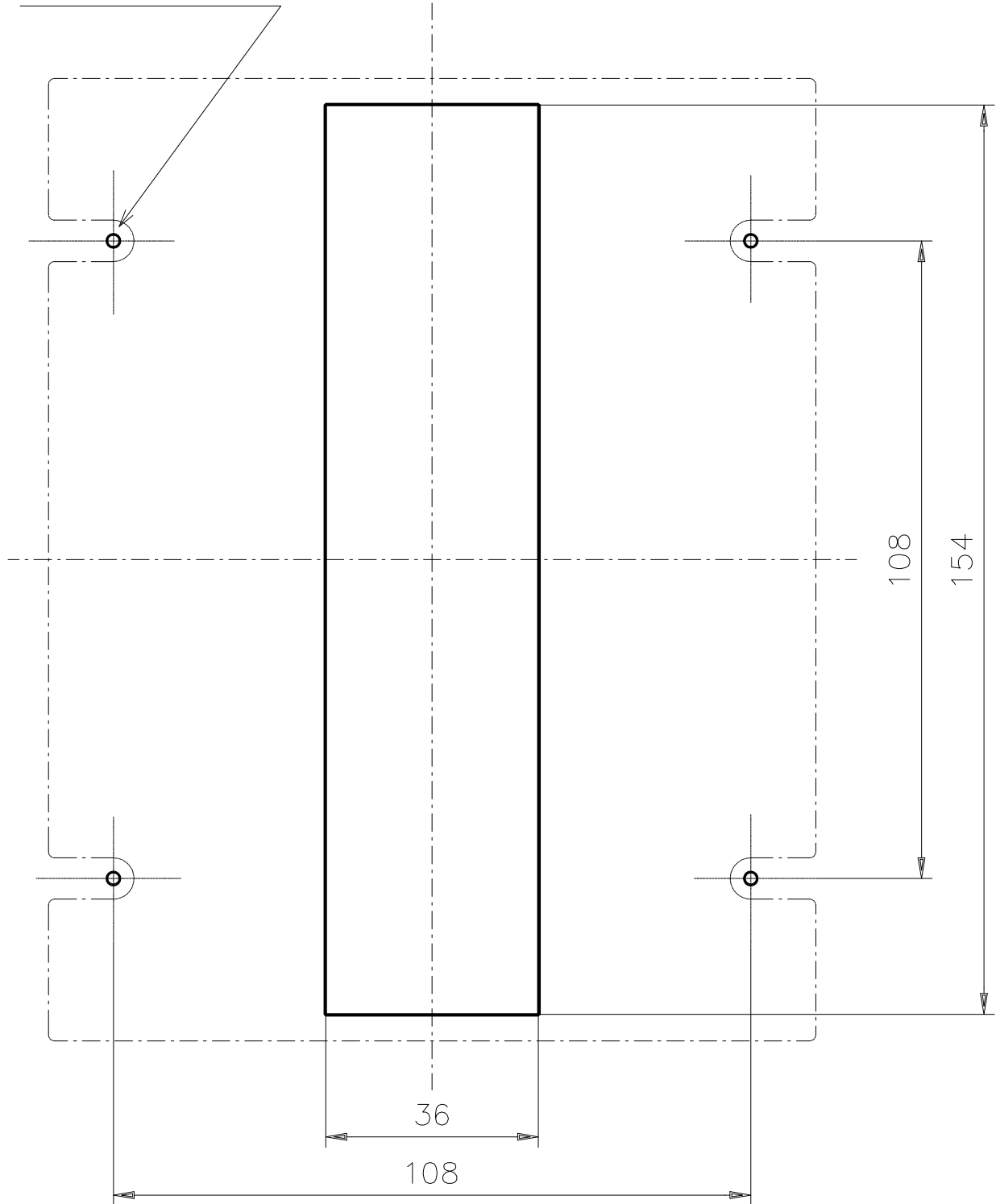


WG141



SUGGESTED BAFFLE CUTOUT

N°4 Fixing points

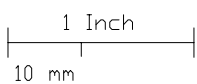


108

154

36

108



THE SHOWN DIMENSIONS ARE EXPRESSED IN MILLIMETERS